

CA240P

General description

The CA240P has very small overall dimensions with exceptional lifting range.

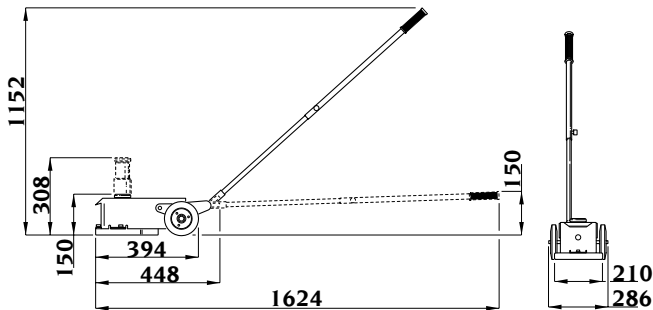
The tested air-hydraulic operating mode allows rapid approach to the lifting point. The lifting control is divided into two different types:

- with load, by actuating the cursor (counter clockwise rotation -> descent valve open), the jack goes down at a speed controlled by an internal device
- without load, with the cursor control open (descent valve) E, fig. 7a, actuating the button F, fig. 7, to complete the descent.

Thanks to the removable handle and easy connection of the pneumatic power, it features very small overall dimensions.

In fact, it can be stored in truck bodies to be used immediately in the event of an emergency.

Technical data



Operating pressure	8÷10 bar	
Air consumption per lift cycle	60 l	
	at a pressure of 8÷10 bar (480÷600 NI)	
Maximum capacity	1st stage	28000 kg
	2nd stage	18000 kg
Minimum height	150 mm	
Maximum height	1152 mm	
Maximum length	1624 mm	
Maximum width	286 mm	
Jack weight	30 kg	
Supply weight	10.5 Kg	

