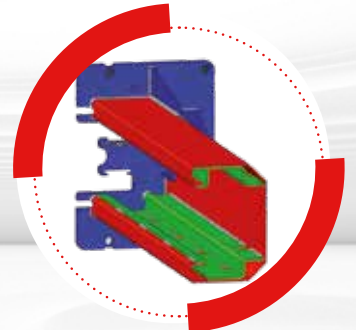
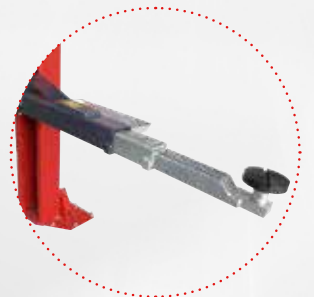




**Electro-hydraulic
two post lifts with
top connections**



**Internally reinforced
column structure** for
little bending and
internal cable guiding



Four **three-section
symmetrical** arms.

**Possibility of installation in symmetrical or
asymmetric version.**

ERCO HC5502 - ERCO HC4502



Realignment of the two carriages using metal cables that guarantee excellent synchronisation. **Standard height of two-post connection: 4,050 mm.**

Available versions (with optional column extension set):

- **V:** Specific for vans (Height of two-post connection: 4,620 mm).
- **XV:** Specific for vans and very high vehicles, extra-high version (Height of two-post connection: 5,220 mm).



PROTECTIONS

Rubber door protections.
Toothed sector arm rotation stop system



SAFETY

Electro magnet safety release 24V

INCLUDED ACCESSORIES

Safety stop-bar included as standard.
Two set of extension pads.

TECHNICAL DATA

Model	Erco HC5502	Erco HC4502
Lift capacity	5500 kg	4500 kg
Lifting time	45 s	
Three phase motor	400/230V - 3kW - 3Ph - 50/60Hz	
Single phase motor	230V - 3kW - 1Ph - 50/60Hz	
Max. lifting height	2062 mm	
Max. locking position	1957 - 2037 mm	
Lift minimum height	115 mm	
Height connection	4050/4620/5520 mm	

RECOMMENDED ACCESSORIES



8-43300021

Set of 4 extension for pads, H=35 mm



8-43300014

Set of 4 extension for pads, H=80 mm



8-43300015

Set of 4 extension for pads, H=140 mm



8-43300016

Set of 4 adapters for Mercedes Sprinter



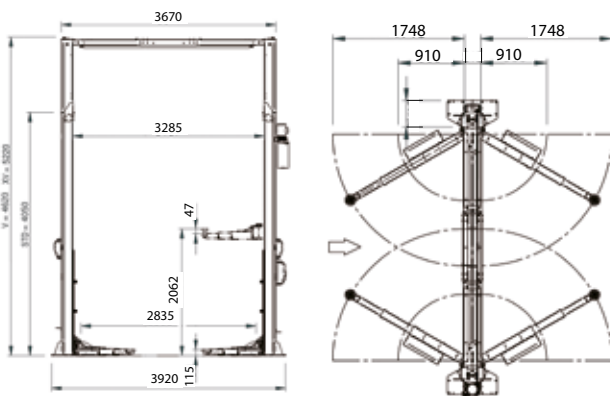
8-43100224 - 8-43100225

Column extension set

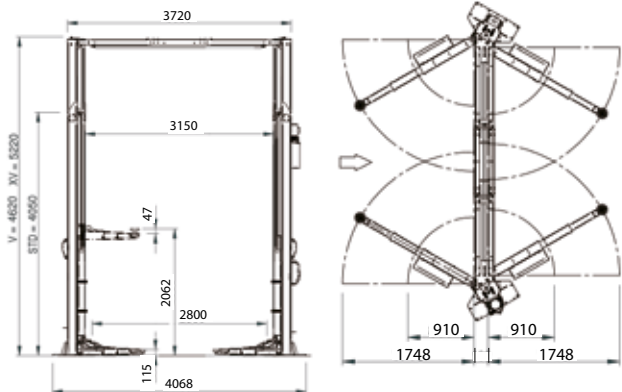
See separate catalogue for further accessories.

DIMENSIONS

ERCO HC4502 Symmetric Installation



ERCO HC5502 Asymmetric Installation



The manufacturer reserves the right to modify the features of its products at any time.



NEXION SPA - www.corghi.com - info@corghi.com

Designed in



Cod. DPCG001391_05/2024

